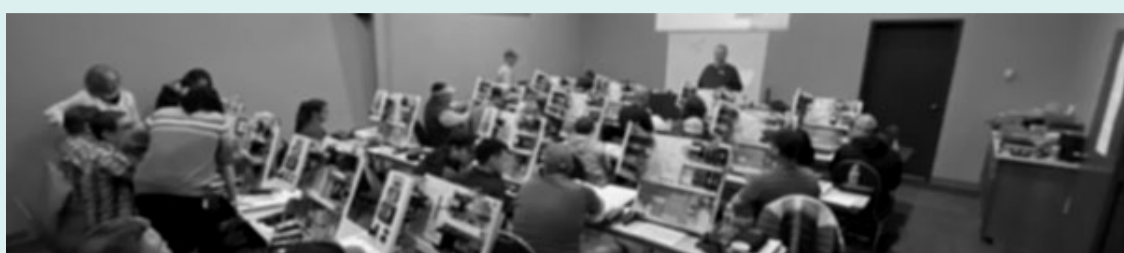


## In This Issue: Discharge Adapters | Conference Schedule

### Another EPG Pumps & Controls Service School is in the books!

Thanks to everyone who attended EPG's 2024 Pumps & Controls Service School. Solid waste specialists from California, Colorado, Florida, Georgia, Maryland, Montana, North Carolina, Ohio, Texas, Utah, Virginia, and Wisconsin participated. We will announce the 2025 Service School dates here in our newsletter later this year.



## EPG Solutions

### Discharge Adapters, AKA Disconnect/ Pitless Adapters

EPG's Pump Discharge Disconnect Adapters are designed for leachate, water & wastewater, and remediation applications. The "NW" Series disconnect adapters fasten through a riser or sump wall.

Now personnel can easily and safely make or break pump discharge connections without entering hazardous locations.



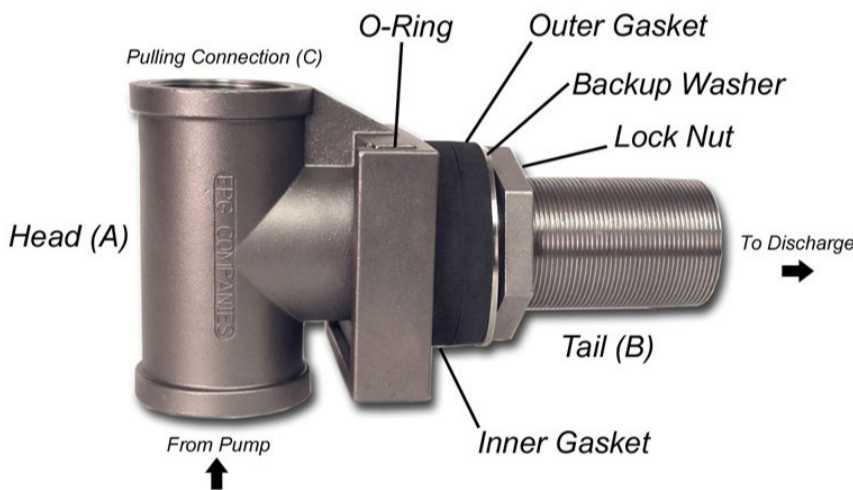
You can depend on genuine EPG adapters to perform worry-free, for years and years.

Why put your pumping system operation at risk relying on imitators or poorly welded makeshift designs?



### "NW" Series Disconnect Adapter Features

- Solid 316 or 304 Stainless Steel construction
- Tapered slide fittings and O-ring seals for liquid-tight slip joint sealing
- Designed for maximum service life and ease of maintenance
- Built in 90° elbow with blind top to accept threaded pipe to facilitate easy removal
- EPDM gaskets, washer and lock nut to make a gas tight seal on sump wall
- Extended length discharge allows adapter to fit through 0.25" to 4" wall thickness
- 1.5", 2", 3", 4", and 6" NPT sized fittings for pump, lift-out, and discharge pipes



[Download Support Docs Here](#)



Through continued R & D and testing, EPG is able to bring improved guide rail system designs to market. Innovative features such as adjustable and pivoting brackets allow a tailored fit for each and every application challenge our customers face.

EPG can even help you design a guide rail system for other styles and types pumps as well! Give us a call at [1-800-443-7426](tel:1-800-443-7426) or email us at [info@epgco.com](mailto:info@epgco.com) for more information.

## EPG On-Demand Webinars

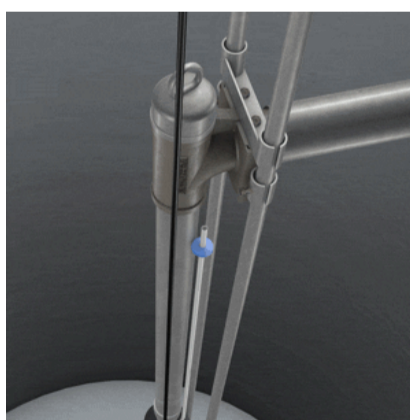
### Featured On-Demand Webinar

Topic: [Quick Disconnects](#)

Length: [6:29](#)

In this short video we discuss EPG's liquid discharge disconnects & guide rail systems.

[Watch Webinar](#)



## Industry Events

List includes events in which both EPG and our Sales Reps are participating in and is subject to change.

**July 21-23 Missouri Waste Control Coalition**  
Lake of the Ozarks, MO (The Reich Co. Exhibiting)

**Aug 19-22 Wyoming SWANA & Recycling Conf.**  
Casper, WY (The Reich Co. Exhibiting)

**Sep 23-25 Colorado SWANA Conference**  
Breckenridge, CO (The Reich Co Exhibiting)

**Oct 1-3 Kansas SWANA Conference**  
Mulvane, KS (The Reich Co. Exhibiting)

**Oct 27 Arizona SWANA Vendor Showcase**  
Location TBD (The Reich Co Exhibiting)

**Oct 28-30 Nebraska SWANA Conference**  
Kearney, NE (The Reich Co Exhibiting)