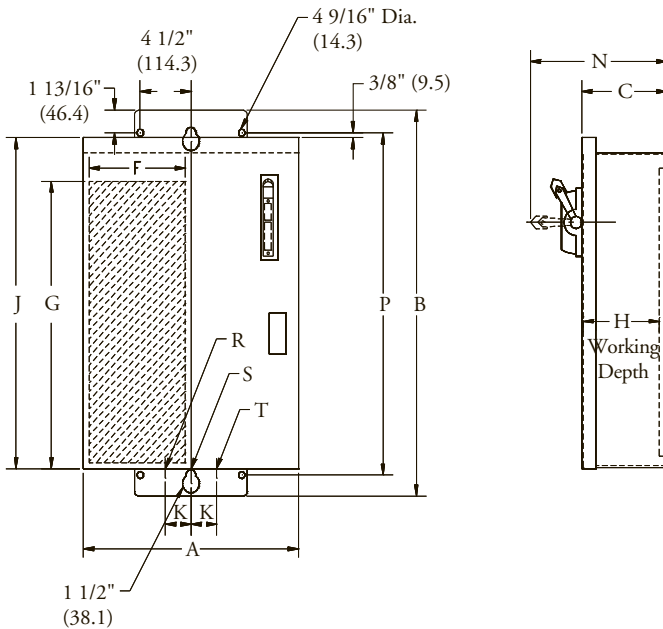


September 1997

Pump Control Panels

NEMA TYPE 3R FUSED DISCONNECTS



Type "2" Component Protection Coordination

- NEMA rated contactor with three (3) pole manually resettable thermal overload relay
- Reset push button in the outer door
- Fused disconnect switch
- Hand-off auto selector switch
- Start push-button, or optional green run light

Dimensions in Inches (mm)																	
Size	Amps	Motor HP		A Width	B Height	C Depth	F	G	H	J	K	N	P	Conduit Knockouts			lbs. (Kg)
		230V	460V											R	S	T	
1	27	7	10	19 1/32 (483.4)	31 3/32 (789.8)	7 (190.5)	8 (215.9)	23 3/16 (589)	6 7/8 (174.6)	27 27/32 (707.2)	2 (57.2)	13 5/8 (346.1)	28 23/32 (729.5)	1 3/8 x 1 23/32 (34.9 x 43.7)	7/8 x 1 1/8 (22.2 x 28.6)	1 1/8 x 1 3/8 x 1 23/32 (28.6 x 34.9 x 43.7)	70 (31.5)
2	45	15	25	19 1/32 (483.4)	31 3/32 (789.8)	7 (190.5)	8 (215.9)	23 3/16 (589)	6 7/8 (174.6)	27 27/32 (707.2)	2 (57.2)	13 5/8 (346.1)	28 23/32 (729.5)	1 3/8 x 1 23/32 (34.9 x 43.7)	7/8 x 1 1/8 (22.2 x 28.6)	1 1/8 x 1 3/8 x 1 23/32 (28.6 x 34.9 x 43.7)	72 (32.4)
3	90	30	50	21 25/32 (553.2)	45 3/32 (1145)	8 23/32 (221.5)	-	-	8 (203.2)	41 15/32 (1053)	1 (44.5)	14 7/8 (377.8)	42 21/32 (1083)	1 23/32 x 1 31/32 (43.7 x 50)	-	1 23/32 x 1 31/32 (43.7 x 50)	135 (60.8)
4	135	50	100	25 29/32 (658)	54 3/32 (1374)	8 25/32 (223)	-	-	8 1/64 (203.6)	50 21/32 (1287)	2 (57.2)	17 (444.5)	51 21/32 (1312)	2 15/32 x 3 (62.7 x 76.2)	-	2 15/32 x 3 (62.7 x 76.2)	225 (101)