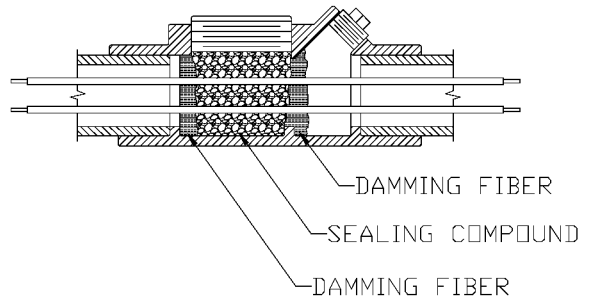
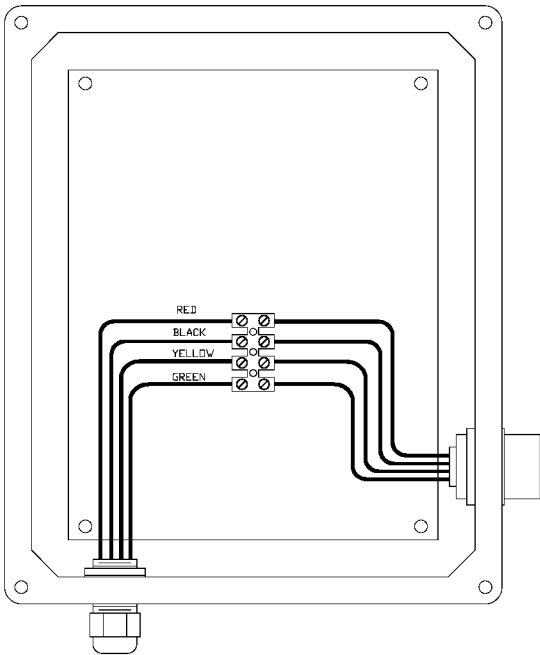
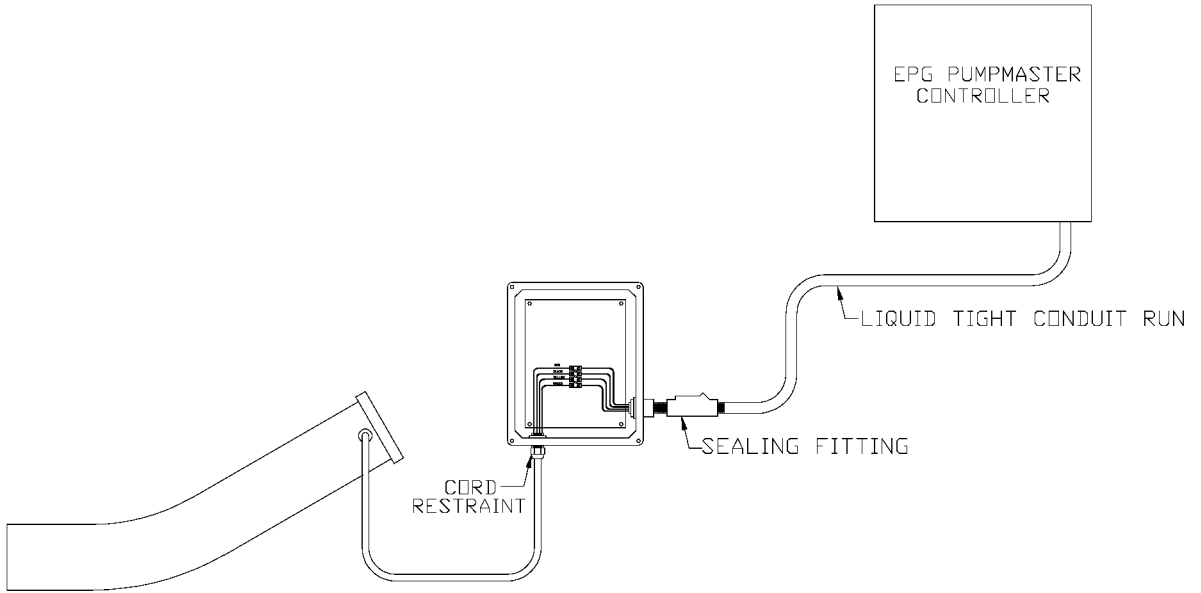


BJBP 500

BREAKOUT JUNCTION BOX FOR MOTOR LEAD



* NOTICE * © EPG Companies Inc. 2002

TOLERANCES		REVISIONS			REFERENCE			
(EXCEPT AS NOTED)		NO.	DATE	BY	EPG COMPANIES			
DECIMAL	F	1			TYPICAL INSTALLATION DESIGN C.A.S. SCALE NONE MATERIAL DRAWN C.A.S. DATE 05/07/02 DRAWING NO. CHECK APP'D 03626-0500			
		2						
FRACTIONAL	I	3						
		4						
ANGULAR	D	5						